

User Manual

LMT®

ADVANCED • TECHNOLOGIES

GENERAL CONSIDERATIONS:

Ammunition: Ammunition will affect how your new suppressor functions. Only use quality, factory-new, ammunition in your firearm.

Concentricity: Reduce the risk of a baffle strike by ensuring that the barrel threads are aligned concentrically with the bore of your host weapon's barrel. If you do not have the means to verify this, it is recommended that you have a competent gunsmith verify it for you.

Your ION

The ION will be shipped with the Regulator Standard Insert 1.375"x24 (for Regulator quick-detach mounting system) and the Restrictor Cap 7.62 installed. Also included is a Regulator SP Muzzle Mount in 5/8"x24 for 7.62 and a tool (iontool) for suppressor/end cap/muzzle device mount and dismount.



FIREARMS ARE DANGEROUS! REVIEW THIS MANUAL IN FULL BEFORE USING YOUR SUPPRESSOR. FAILURE TO FOLLOW THE INSTRUCTIONS LISTED BELOW COULD RESULT IN DAMAGE TO YOUR FIREARM AND/OR SERIOUS PERSONAL INJURY OR DEATH. DO NOT ATTEMPT TO USE YOUR FIREARM AND/OR SUPPRESSOR UNTIL YOU HAVE THE PROPER TRAINING TO DO SO.

CHECK YOUR WEAPON'S CHAMBER AND MAKE CERTAIN THAT THE WEAPON IS UNLOADED AND THE MAGAZINE IS REMOVED BEFORE PROCEEDING ANY FURTHER. IF THERE IS ANY QUESTION OR DOUBT, CONSULT THE OPERATOR'S MANUAL APPLICABLE TO YOUR FIREARM AS TO THE PROPER PROCEDURE FOR CLEARING AND/OR UNLOADING YOUR WEAPON. DO NOT INSTALL A SUPPRESSOR ON A FIREARM WITH THE ACTION CLOSED!

OUR PRODUCTS ARE CALIBER SPECIFIC. UNLESS STATED OTHERWISE ON THE SUPPRESSOR ITSELF OR ON THE PACKAGING, THE ION SUPPRESSORS WILL NOT FUNCTION SAFELY WITH ANY CARTRIDGE WITH PRESSURES HIGHER THAN 300 WINMAG. SUB-CALIBERS LIKE 5.56 ARE ACCEPTABLE. USE OF YOUR SUPPRESSOR OUTSIDE OF ITS INTENDED SCOPE COULD RESULT IN DAMAGE TO YOUR FIREARM, DAMAGE TO PROPERTY, BODILY INJURY, OR DEATH.

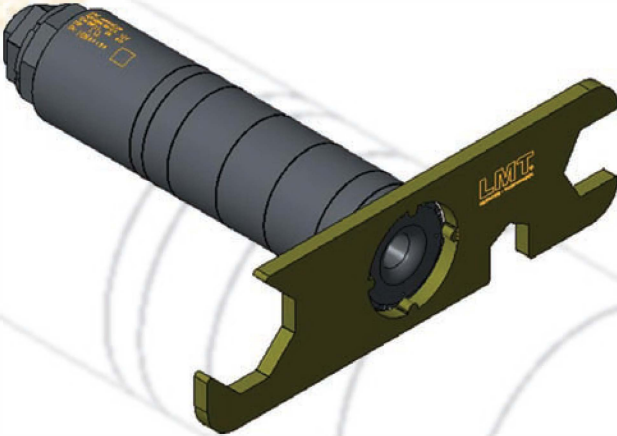
SUPPRESSOR MUST BE FREE OF OBSTRUCTION SUCH AS MUD, DIRT, ETC. DO NOT ATTEMPT TO SHOOT THROUGH AN OBSTRUCTED SUPPRESSOR IF SUBMERGED IN WATER, THE USER MUST ALLOW SUFFICIENT TIME TO DRAIN THE SUPPRESSOR COMPLETELY.



Muzzle Cap Installation and Removal

STEP ONE

Align the pins of the ION tool wrench (included) with the holes cut into the Muzzle Cap. Ensure tool is flat against the Muzzle cap with the pins evenly and fully engaged and apply torque counter-clockwise to loosen and remove or clockwise to tighten. Note: If mounted to the host weapon, ensure the firearm is unloaded, the suppressor is not hot, and firmly hold the ION with one hand to ensure the muzzle device or direct thread mount is not unintentionally loosened.



STEP TWO

If re-attaching, clean threads and apply a high temperature anti seize lubricant to the surfaces. Using the included tool, hand tighten the cap. Only 5-10 ft-lb of torque is needed. Do not over tighten!

STEP THREE

Inspect upon assembly. All components should be snug with a slight gap between the cap and the suppressor. If any component is not fully tightened, then check threads for any damage or debris. Clean both mating parts as necessary and repeat the tightening step.



The ION is designed with an industry standard 1.375"x24 removable base that allows the user to:

1. Use the Regulator quick-detach mounting system
2. Use the Regulator direct thread mounting system
3. Use another manufacturers' mounting system by changing the 1.375"x24 insert/adapter

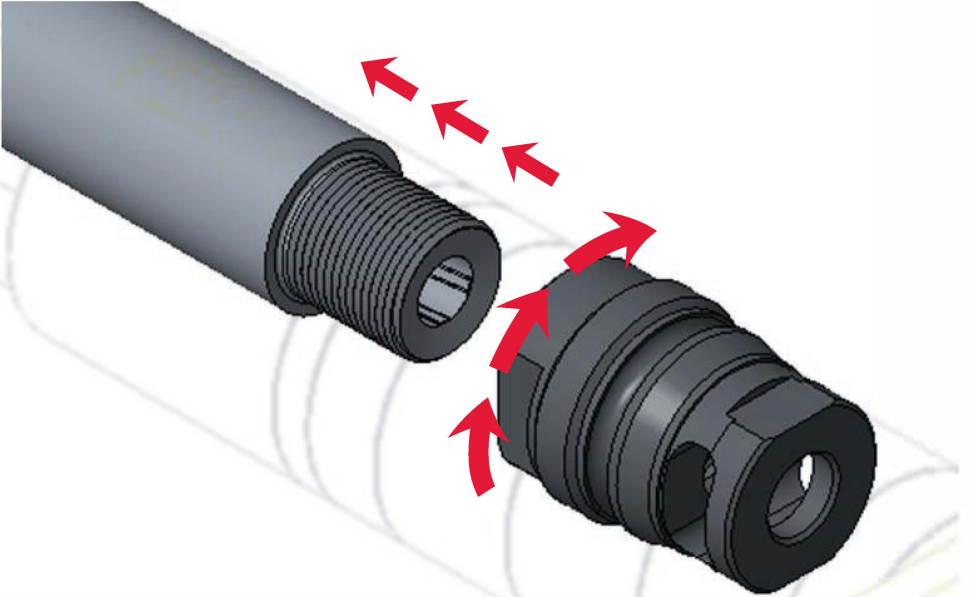
WARNING! THE SUPPRESSOR MAY BECOME EXTREMELY HOT AFTER USE. NEVER GRAB A HOT SUPPRESSOR AS IT CAN RESULT IN BURNS AND INJURY.
Use heat-resistant gloves to avoid burns or other injuries.

NOTE: DEBRIS ON THE THREADS AND TAPER SURFACES MAY CAUSE MISALIGNMENT OF SUPPRESSOR PARTS AND ALLOW FOR BULLET STRIKES ON BAFFLES OR THE FRONT CAP.
Any questions concerning the performance or care of your suppressor should be directed to our Customer Service Department by email at Sales@lmt-at.com or by phone at (309) 558-5554.

Using the ION with the Regulator quick-detach mounting system

STEP ONE

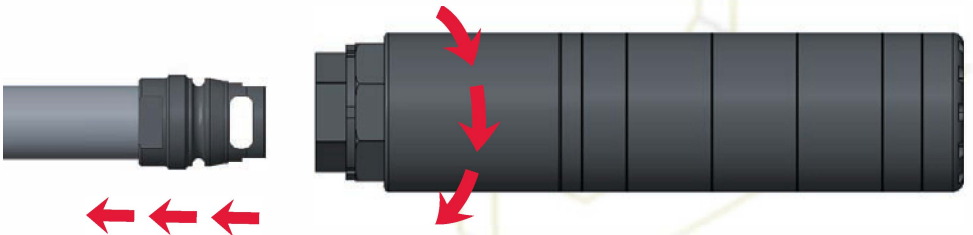
Install a Regulator muzzle device on the host weapon by threading the Regulator muzzle device onto the barrel. Using an adjustable wrench or $\frac{3}{4}$ " wrench, index the flats of the muzzle device and torque to approximately 30ft-lbf (~20 degrees turn after hand tight). No timing shims or washers are required for proper installation.



Note: If the Regulator mount loosens due to extreme heat cycles, then it's recommended to degrease the threads and use a high temperature threadlocker. LMT AT recommends using a medium strength, high temperature threadlocker like Hot Lock or Rocksett.

STEP TWO

Insert the ION onto the Regulator muzzle device. Turn the suppressor with your hands counter-clockwise until it is tight and firmly seated against the Regulator muzzle device. This lefthanded motion will seem odd at first, but it ensures that the Regulator muzzle device does not get "stuck" in the can.



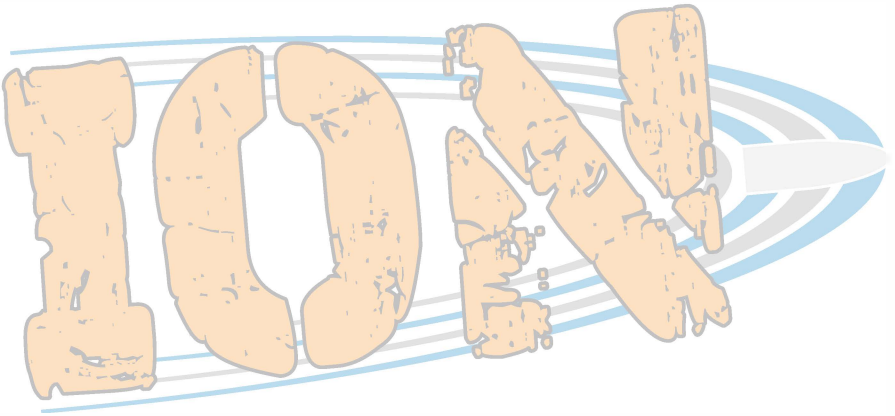
You are ready for use.

STEP THREE

After the ION has cooled to the touch, the ION may be removed by turning the suppressor clockwise. The taper edges of the Regulator muzzle device and the ION make a tight seal that may need a little extra effort to overcome.

Hot suppressors are a hazard and extreme caution should be used.

Note: Often times the threads on suppressors experience thermal expansion during use. After the suppressor cools, removal becomes easier.



Using the ION with the Regulator direct thread mounting system

STEP ONE

Using the included ION tool, remove the Regulator Standard Insert 1.375"x24 and install the Regulator Direct Thread Insert 1.375"x24 to 25+ ft-lb. A large crescent wrench or a 1.5" open end wrench (not included) may be needed to "hold" the suppressor on the wrench flats when removing and installing the base.



STEP TWO

Insert the ION onto the host weapon by turning the suppressor clockwise. Continue until it is firmly seated against the shoulder of the host weapon or ~20 degrees after hand tight.



You are ready for use.

We recommend checking the security of the attachment after 30 discharges of the firearm.



STEP THREE

After the ION has cooled to the touch, the ION may be removed by turning the suppressor counterclockwise, which is in the opposite direction that was used during installation.

Barrel Torque for both Regulator muzzle devices and Direct Thread Insert shall not exceed 30 ft-lbs. A target of 20 - 25 ft lbs. is optimal.

Note: All direct thread suppressors will loosen with use and quality threads are critical. A loose suppressor mount will shift the point of impact due to misalignment of the suppressor. This may cause the bullet to strike the baffles or front cap, causing damage to the suppressor. Hand tightening the suppressor onto the barrel is preferred. Do not over-tighten the suppressor with any assorted tools or wrenches as such actions may result in damage to your firearm, the suppressor, or both. Before installation, ensure the threads of the host firearm's barrel are clean and lubed before carefully threading the suppressor onto the muzzle end of your firearm. Take care not to cross thread or force the suppressor to thread onto the firearm. If the suppressor does not smoothly thread onto your firearm, stop the installation process and immediately contact our Customer Service Department for further instruction. If the threads on the host weapon are too long and they prohibit the suppressor from sitting tight against the shoulder of the barrel, a shim pack or washer(s) may be necessary.



Using another manufacturer's mounting system by changing the 1.375"x24 insert/adapter.

STEP ONE

Using the included **ION** tool, remove the Regulator Standard Insert 1.375"x24.

STEP TWO

Follow the other manufacturer's instructions.

DISCLAIMER:

The manufacturer is not responsible for damages or injuries due to the misuse or unintended use of its products. This product is potentially dangerous and, as such, adequate safety precautions must be taken to avoid damage to your firearm, damage to third parties, bodily injury, or death.

Please consult our website for further details at:
www.lmt-at.com
email: Sales@lmt-at.com OR call: (309)558-5554



LMT[®]
AT



WARRANTY:

We provide a lifetime warranty against all manufacturing defects and damages caused by the normal use of this product. The manufacturer will repair or replace free of charge any suppressor manufactured by, or at the direction of, LMT Advanced Technologies, LLC. The product is sold "as is" with no further implied contractual rights or warranties beyond those expressly stated herein. The warranty does not apply to certain conditions or acts. It is at the sole discretion and determination of LMT Advanced Technologies, LLC if a particular defect or condition is covered by this warranty. Conditions not covered include, but are not limited to modifications, abuse, neglect, use of defective ammunition, use of improperly sized ammunition, and criminal conduct. LMT Advanced Technologies, LLC assumes no liability for damages or bodily injury caused by such acts or omissions as previously described. Abuse and neglect are defined as usage outside of the reasonable scope for which the product is intended, thus contributing to the accelerated and unreasonable premature wear of the suppressor itself.

If a repair is needed, then the owner must contact our Customer Service Department at email Sales@lmt-at.com or by phone at (309) 558-5554.

An LMT Advanced Technologies, LLC representative will plan for return of the suppressor at manufacturer's shipping expense. **DO NOT SHIP THE SUPPRESSOR FOR REPAIR WITHOUT FIRST CONTACTING CUSTOMER SERVICE AND DO NOT SHIP IN ANY EVENT WITHOUT A COPY OF THE APPROVED BATF FORM.** When you ship the suppressor back to the manufacturer, please include a detailed statement concerning the type of defect or malfunction encountered and describe the ammunition used and type of host weapon the product was used on or attached. If for any reason your suppressor is not eligible for repair or replacement, you may purchase a replacement suppressor for 50% off the MSRP for a same or similar suppressor. Please contact our Customer Service Department for further details and requirements.

LAWFUL USE AND POSSESSION:

Your new suppressor is an NFA weapon and is not legal to own or possess in certain jurisdictions. LMT AT LLC., does not offer any express or implied promises or affirmations concerning the use, possession, or ownership of your suppressor. If you have any questions concerning the ownership, possession, or use of your suppressor contact the chief local law enforcement officer in the jurisdiction in which you reside or your local BATF office for further information concerning the ownership, use, and possession of NFA controlled weapons.

HELPFUL OWNERSHIP INFORMATION

ALWAYS MAINTAIN A COPY OF THE APPLICABLE BATF DOCUMENTS TO YOUR SUPPRESSOR WITH THE SUPPRESSOR ITSELF WHENEVER TRANSPORTING OR USING YOUR SUPPRESSOR. FAILURE TO DO SO COULD RESULT IN CONFUSION, PROSECUTION, OR CONFISCATION OF YOUR NFA CONTROLLED WEAPONS.



LMT®

ADVANCED • TECHNOLOGIES





LMT[®]

ADVANCED • TECHNOLOGIES

CONTACT INFORMATION:

You can contact us by phone at **(309) 558-5554**, email **Sales@lmt-at.com** or visit our website at **www.lmt-at.com**.

Ver 10.28.21

Thank you for your purchase and feel free to contact us with any questions or concerns.